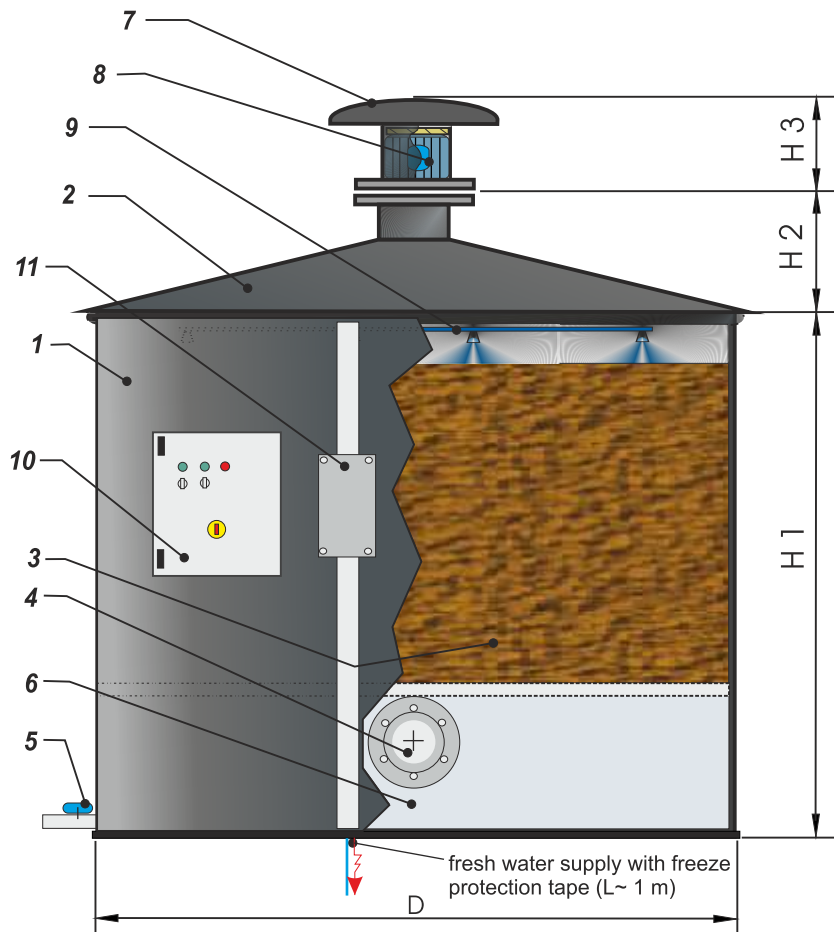


Circular Stand-Alone Biofilter

SRBF Series



Application

The biofilters of the SRBF series distinguish themselves especially by their universal options for application. These biofilters are used mainly for waste air streams with organic contaminants in waste water treatment plants (WWTP), landfills, sewer systems or biogas plants. They can be operated with or without ventilator (**active or passive biofilter**). A controlled irrigation system could be added. Depending on the environmental conditions the life time of the biofilter material lasts between 3 and 7 years.

Technical Data and Dimensions

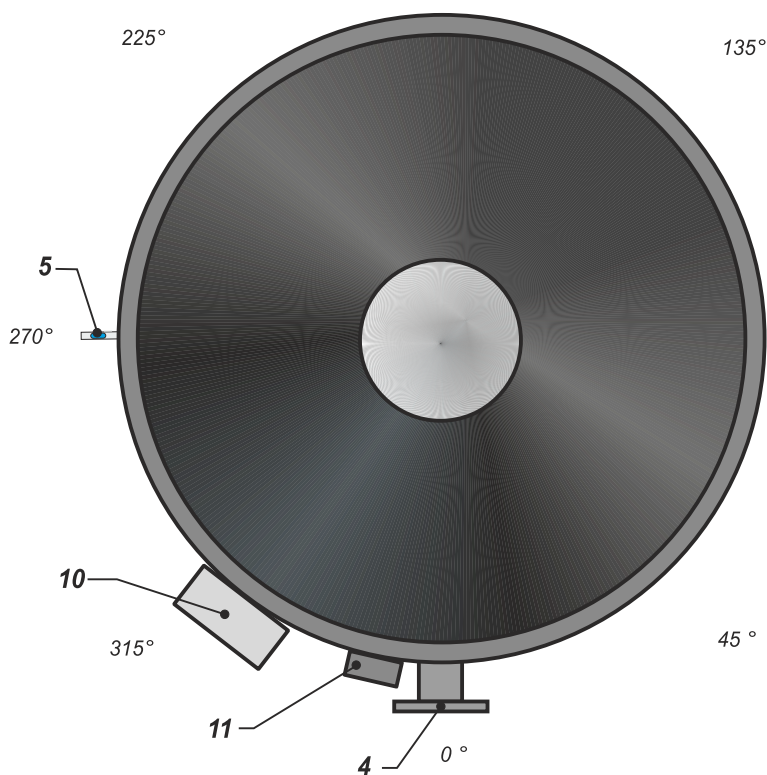
Materials with media contact: PE, PPs, VA, PVC
 Biofilter material: bioteg bpc BT-50 and bpc BT-100

TYPE	weight ~ [Kg]	*waste air [m³/h]	D [mm]	H1 [mm]	H2~ [mm]
SRBF- 20	110	20	610	1000	180
SRBF- 30	135	30	810	1000	200
SRBF- 50	240	50	810	1200	200
SRBF- 75	330	75	1100	1300	230
SRBF-100	450	100	1300	1300	240
SRBF-150	650	150	1300	1600	240
SRBF-200	990	200	1500	1600	250
SRBF-300	1450	300	1750	1600	260
SRBF-400	1800	400	2000	1600	270
SRBF-500	2150	500	2250	1600	280
SRBF-600	2800	600	2400	2000	290

*) H3 is the same for all filters: appr. 350 mm
 operational weight (wet and ready to use)

Technical modifications reserved

top view
 (socket orientation determinable by customer)



Key

- 1 Filter body (a=PEHD;b=1.4571)
- 2 Detachable cover (a=PEHD; b=1.4571)
- 3 Filter material
- 4 Waste air socket = entry of uncleaned air
- 5 Drain pipe
- 6 Pressure chamber
- 7 Ventilator cover (a=PEHD, b=1.4571)
- 8 Ventilator with housing
(a=ex-protection; b=no ex-protection)
- 9 Controlled surface irrigation system (OBR)
- 10 Electric panel
- 11 Installation chamber with water distribution

Version "a" = Standard / 2, 7b, 8 and 9 optional
 explosion protection available



bioteg Biofilter Systems GmbH
 Industriestr.11-13
 D-95349 Thurnau, Germany
 Tel.:+49(0)9228 / 996000
 Fax:+49(0)9228 / 9960018
 e-mail:service@bioteg.de
 Internet: www.bioteg.de